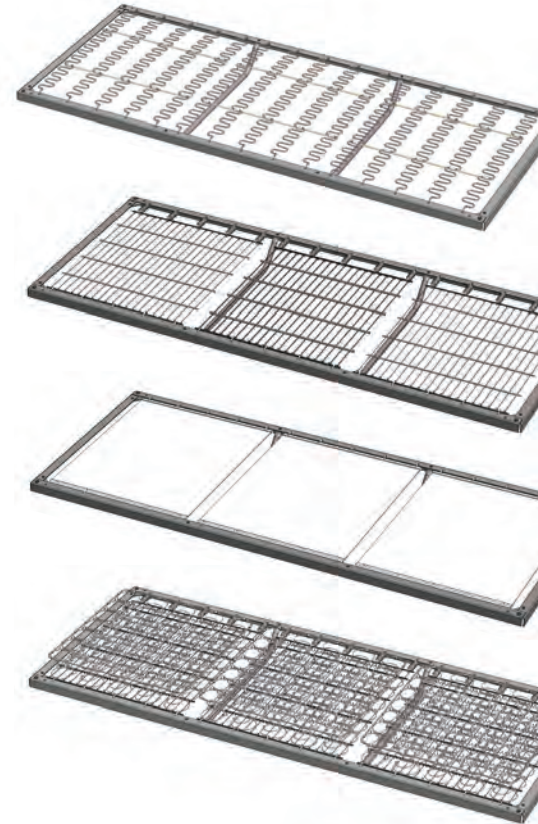
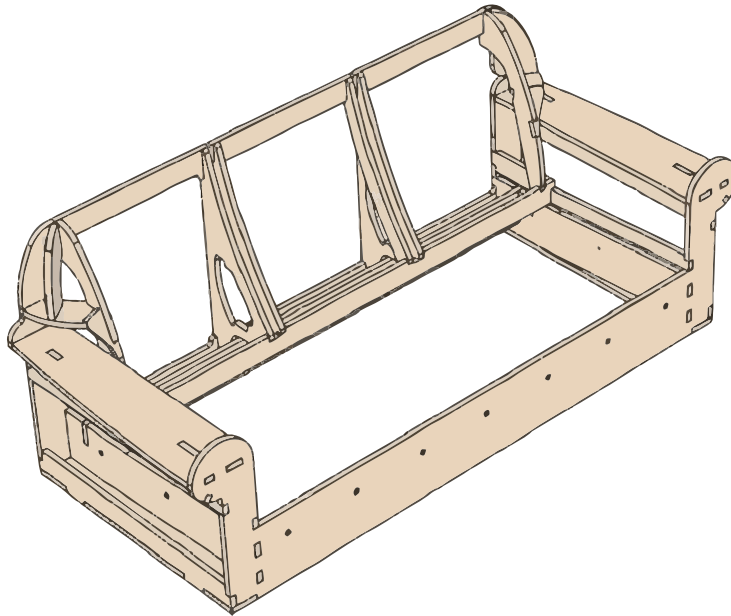




STANDARDIZED STEEL FRAME SYSTEM



One frame – UNLIMITED seat choices.

- Reduces stress on wood frame
- Makes high-leg, thin seats possible
- Reduces cost of wood frame
- Standardization allows for assembly automation
- Improves through-put time
- Can be installed in frames before the glue has cured
- Reduces spring-up labor



Single



Love Seat



Sofa



Sectional

Leggett & Platt
FURNITURE COMPONENTS

800.888.4569
HFC@leggett.com
LPFurnitureComponents.com

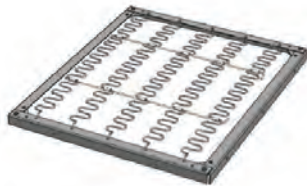


Steel Frame Seating System Options

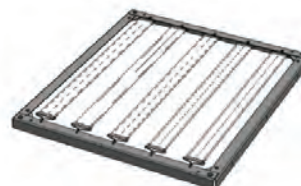
Indirect Suspension Systems

Indirect Suspensions

- Pulled front-to-back
- Interchangeable steel frame sizes (upholstered furniture frames can be the same)
- Separate, independent seat suspension sections
 - Eliminates lean-out toward arms
 - No disruption between furniture occupants
 - Provides clearance for Seat Stretchers – saves space when stacking



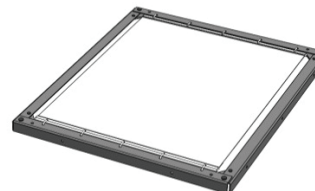
Sinuous Wire Springs
with Z-Hook Ends



Strap Webbing
with Hook Hangers
(Various Strap Webbings Available)



Perma-Eze Plus
Helical Suspended Grid



Sheet Webbing
US Patent 10,111,528
(Various Sheet Webbings Available)



Seat Pleaser
Wire-Laced Coil Spring Unit –
Helical Suspended